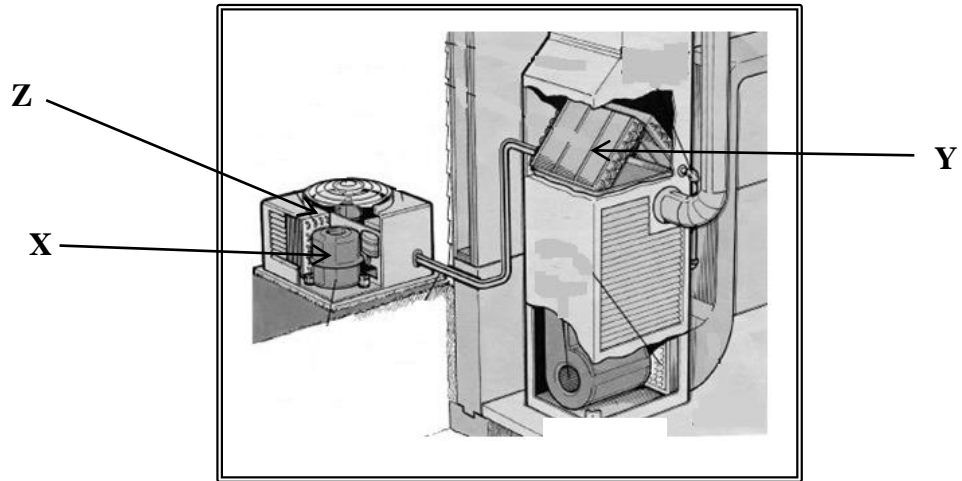


Y12 Applied Technology Worksheet # 8

Note: Students to attempt this at the back of their exercise book.

QUESTION 8 REFRIGERATION AND AIR CONDITIONING (10 marks)

(a) Study the diagram below and answer the questions that follow.



Source: *Applied Technology*, Ministry of Education, 2015.

- (i) Label the parts **X**, **Y** and **Z** above. **(3 marks)**
- (ii) Explain the function of one of the parts labelled above. **(2 marks)**
- (b) Sketch the Refrigeration Cycle. **(3 marks)**
- (c) The diagram given below shows a device used in refrigeration and air conditioning.



Source: *Applied Technology*, Ministry of Education, 2015.

- (i) Name the device shown above. **(1 mark)**
- (ii) State the use of the device. **(1 mark)**